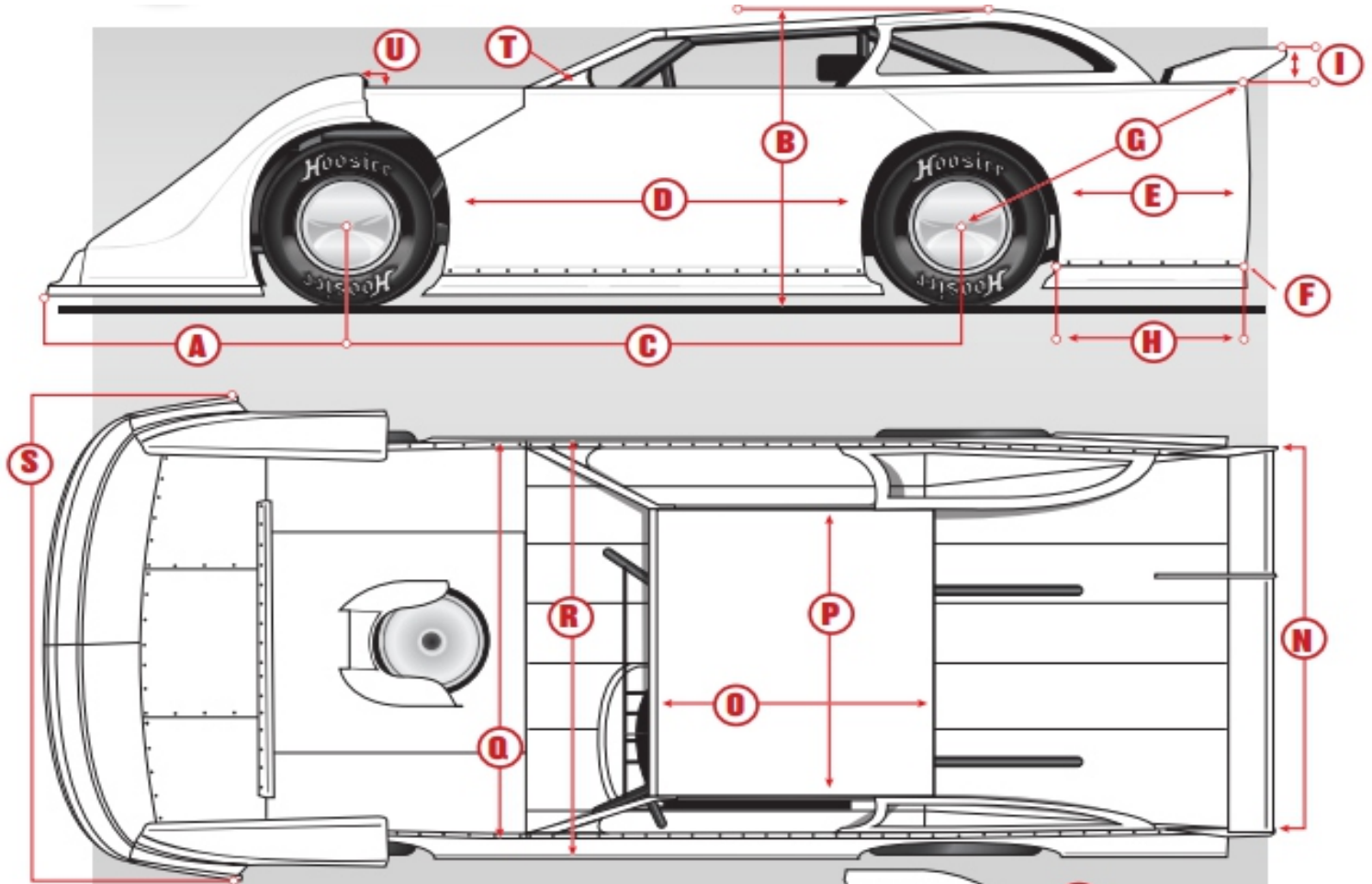




2022 Body Rules



2021 LATE MODEL DIMENSIONS

- A)** Stock Nosepiece can extend maximum of fifty-two inches (52") from center of front hub to farthest point extending forward.
- B)** Roof height must be minimum of forty-five inches (45") and maximum fifty-two inches (52") max from the ground.
- C)** Wheelbase must be one-hundred, three inches (103") minimum.
- D)** Doors and quarters must be flat or may have an outward roll. No doors or body panels allowed to be rolled inward.
- E)** No dishing allowed on rear quarter panels. Must remain flat.
- F)** Skirting material must be cut off flush with rear quarter panel.
- G)** Fifty-four inches (54") maximum from center of rear hub to top of quarter panel.
- H)** Forty-nine inches (49") maximum from center of rear hub to end of quarter panel.
- I)** Eight inches (8") spoiler height maximum.
- J)** Thirty-nine inches (39") maximum rear deck height from top of deck to ground. NO TOLERANCE!
- K)** No wings or "turnels" of any kind allowed underneath the body or chassis.
- L)** Minimum two-inches (2") space between rear spoiler and rear sail panel.
- M)** Rear sail panels must match. Can be open or closed, but both must be the same.
- N)** Seventy-two inches (72") spoiler width maximum.
- O)** Roof length must be minimum of forty-four inches (44") to maximum of fifty-four inches (54").
- P)** Roof width must be minimum of forty-eight inches (48") to maximum of fifty-two inches (52").
- Q)** Maximum of seventy-eight inches (78") wide at top of doors.
- R)** Maximum of eighty-six inches (86") wide at bottom of doors.
- S)** Maximum of ninety-two inches (92") wide at front/widest part of car.
- T)** Window supports maximum of seven inches (7") in length in each direction, up or back.
- U)** Front fender flares may not be more than four inches (4") higher than fenders.

